

Installation Instructions - Plexineon Vertical Catenary Static Color

Models: Plexineon Vertical Rings Catenary Mount Static Color

Please read all instructions prior to installation and keep for future reference!

1. PRODUCT TO BE INSTALLED BY A QUALIFIED ELECTRICIAN.
2. USE ONLY WITH CLASS 2 POWER UNIT
3. 24 VOLTS DC
4. SUITABLE FOR WET LOCATIONS
5. CATENARY MOUNT ONLY



REVO.1
05232024

1 / 5

ilight
by luminii
7777 Merrimac Ave
Niles, IL 60714
T 224.333.6033
F 224.757.7557
info@luminii.com
www.luminii.com



Installation Instructions - Plexineon Vertical Catenary Static Color

Models: Plexineon Vertical Rings Catenary Mount Static Color



ilight
by luminii
7777 Merrimac Ave
Niles, IL 60714
T 224.333.6033
F 224.757.7557
info@luminii.com
www.luminii.com

Please read all instructions prior to installation and keep for future reference!

1. PRODUCT TO BE INSTALLED BY A QUALIFIED ELECTRICIAN.
2. USE ONLY WITH CLASS 2 POWER UNIT
3. 24 VOLTS DC
4. SUITABLE FOR WET LOCATIONS
5. CATENARY MOUNT ONLY

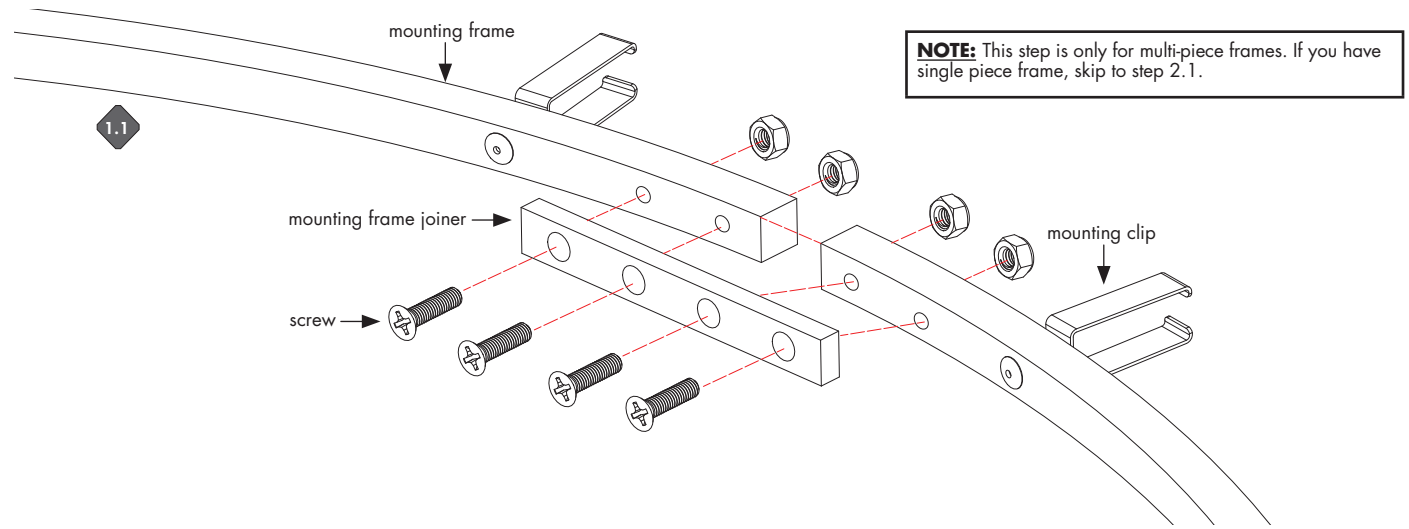
REVO.1
05232024

2 / 5

1

NOTE: Prior to installation all 24VDC wires must be present within 72" of the installation. Refer to the power supply installation instruction for additional information.

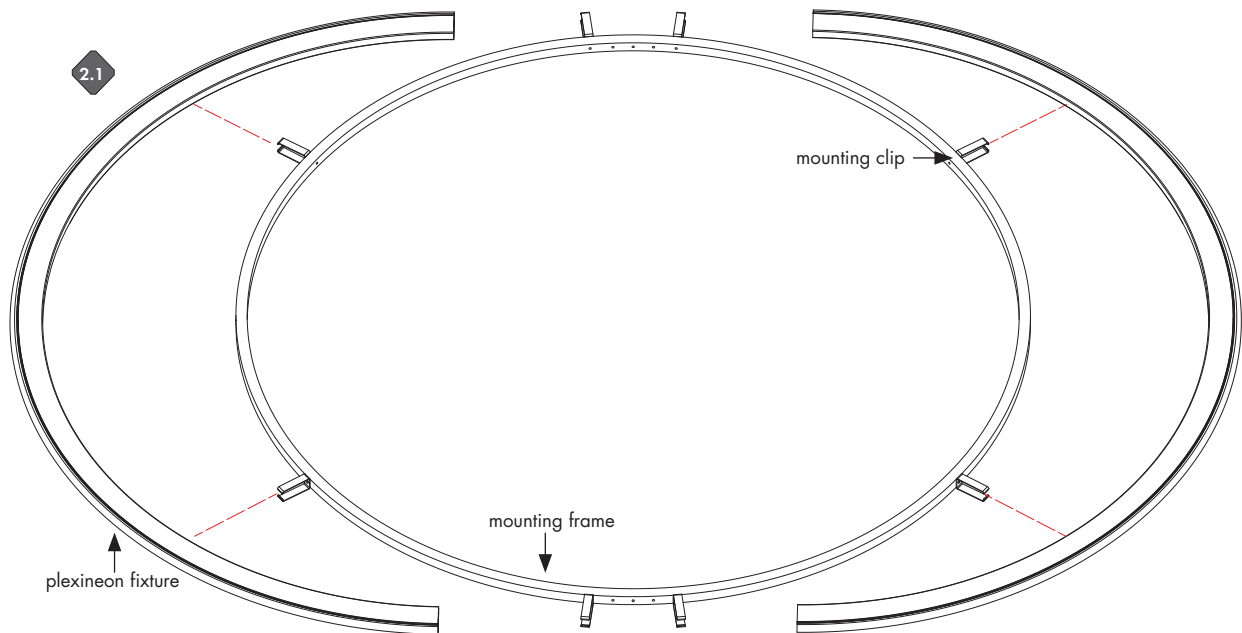
NOTE: More than one person is recommended for this installation.



1.1 For multi-piece frames, connect the frame members together with mounting frame joinder. Use locknuts to secure connection.

2

2.1



2.1 Install plexineon fixture to mounting clips on mounting frame(s).

Installation Instructions - Plexineon Vertical Catenary Static Color

Models: Plexineon Vertical Rings Catenary Mount Static Color

Please read all instructions prior to installation and keep for future reference!

1. PRODUCT TO BE INSTALLED BY A QUALIFIED ELECTRICIAN.
2. USE ONLY WITH CLASS 2 POWER UNIT
3. 24 VOLTS DC
4. SUITABLE FOR WET LOCATIONS
5. CATENARY MOUNT ONLY

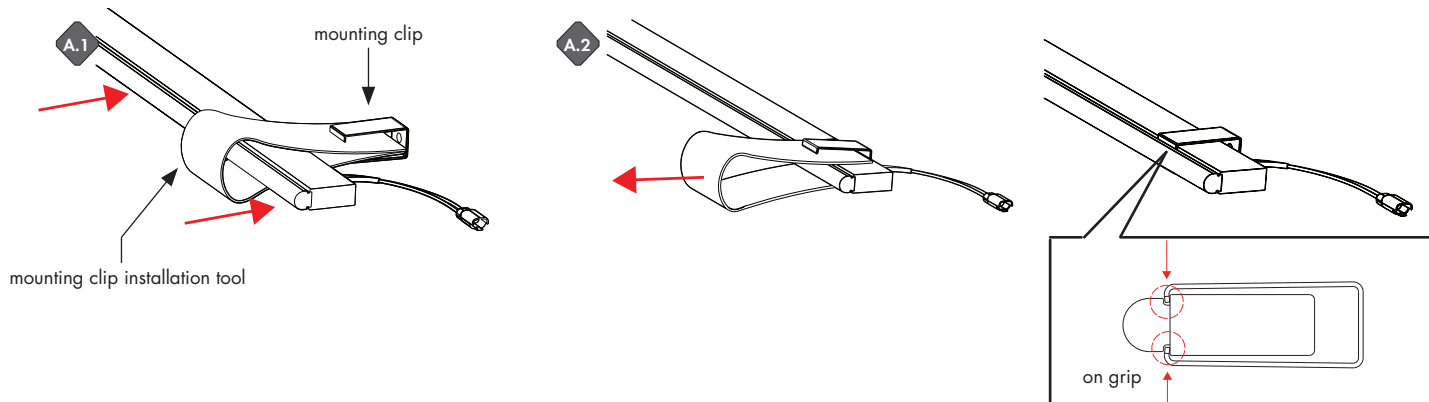


REVO.1
05232024

3 / 5

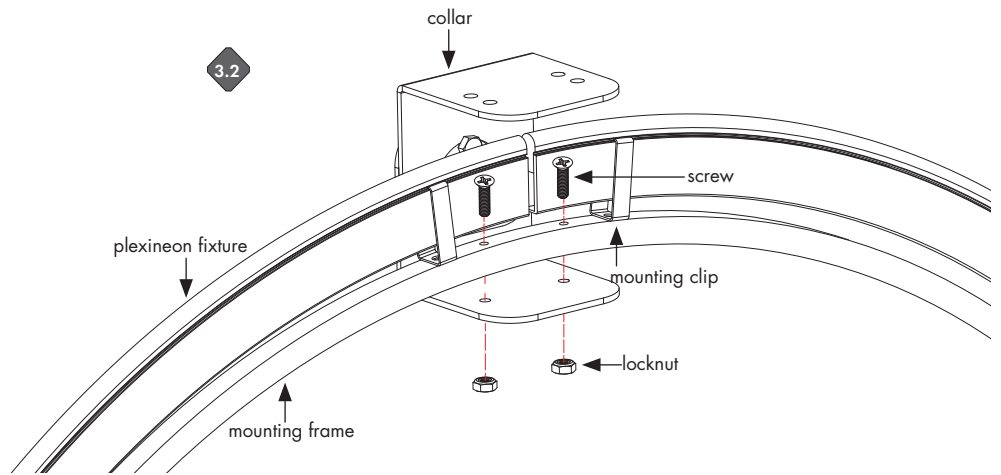
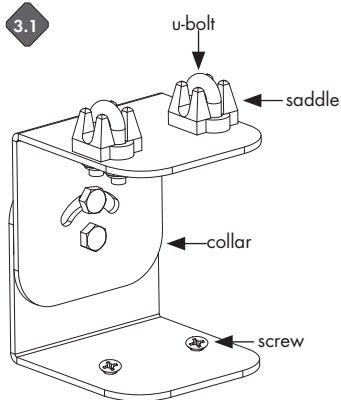
ilight
by luminii
7777 Merrimac Ave
Niles, IL 60714
T 224.333.6033
F 224.757.7557
info@luminii.com
www.luminii.com

Install Fixtures into Mounting Clips



3

NOTE: The collar also functions as a mounting frame joiner.



- 3.1** Remove screw, u-bolt, saddle, and locknut from collar.
- 3.2** Connect collar with mounting frame by screws. Use locknut to secure collar.

Installation Instructions - Plexineon Vertical Catenary Static Color

Models: Plexineon Vertical Rings Catenary Mount Static Color

Please read all instructions prior to installation and keep for future reference!

1. PRODUCT TO BE INSTALLED BY A QUALIFIED ELECTRICIAN.
2. USE ONLY WITH CLASS 2 POWER UNIT
3. 24 VOLTS DC
4. SUITABLE FOR WET LOCATIONS
5. CATENARY MOUNT ONLY



REVO.1
05232024

4 / 5

ilight
by luminii
7777 Merrimac Ave
Niles, IL 60714
T 224.333.6033
F 224.757.7557
info@luminii.com
www.luminii.com

4

catenary cable

u-bolt

saddle

collar

locknut

4.1

NOTE: Catenary cables are provided by others. Max $\varnothing 1/4"$.

4.1 Place the catenary cable between the saddle and u-bolt. Use locknuts to clamp the catenary cable between the saddle and u-bolt.

5

catenary cable

collar

locknut

5.1

0° 30° 45°

5.1 Loosen the top locknut on back of the collar to adjust the angle of plexineon fixture.

Installation Instructions - Plexineon Vertical Catenary Static Color

Models: Plexineon Vertical Rings Catenary Mount Static Color

Please read all instructions prior to installation and keep for future reference!

1. PRODUCT TO BE INSTALLED BY A QUALIFIED ELECTRICIAN.
2. USE ONLY WITH CLASS 2 POWER UNIT
3. 24 VOLTS DC
4. SUITABLE FOR WET LOCATIONS
5. CATENARY MOUNT ONLY



REVO.1
05232024

5 / 5

ilight
by luminii
7777 Merrimac Ave
Niles, IL 60714
T 224.333.6033
F 224.757.7557
info@luminii.com
www.luminii.com

